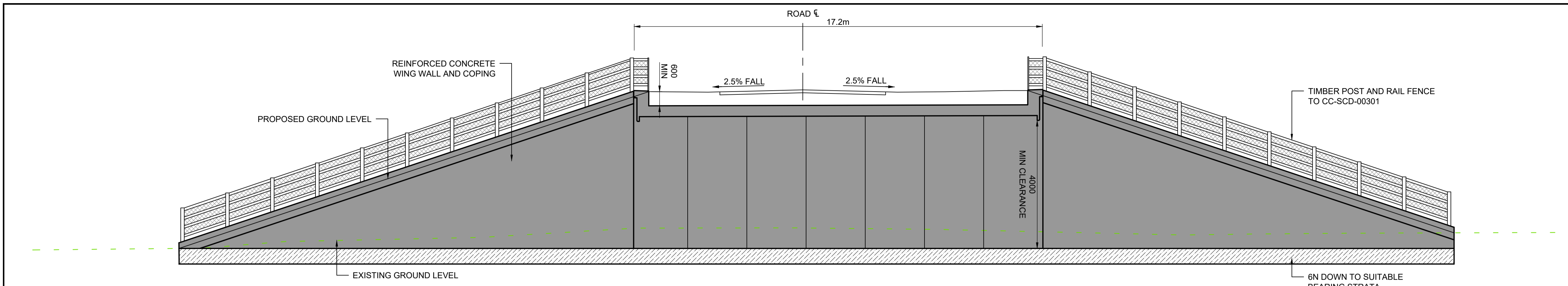


A1

DO NOT SCALE

File: 5158291\_HTR\_DR\_0116.dwg  
Date: Sep 27, 2020 - 11:44am  
Plotted by: jDempsey

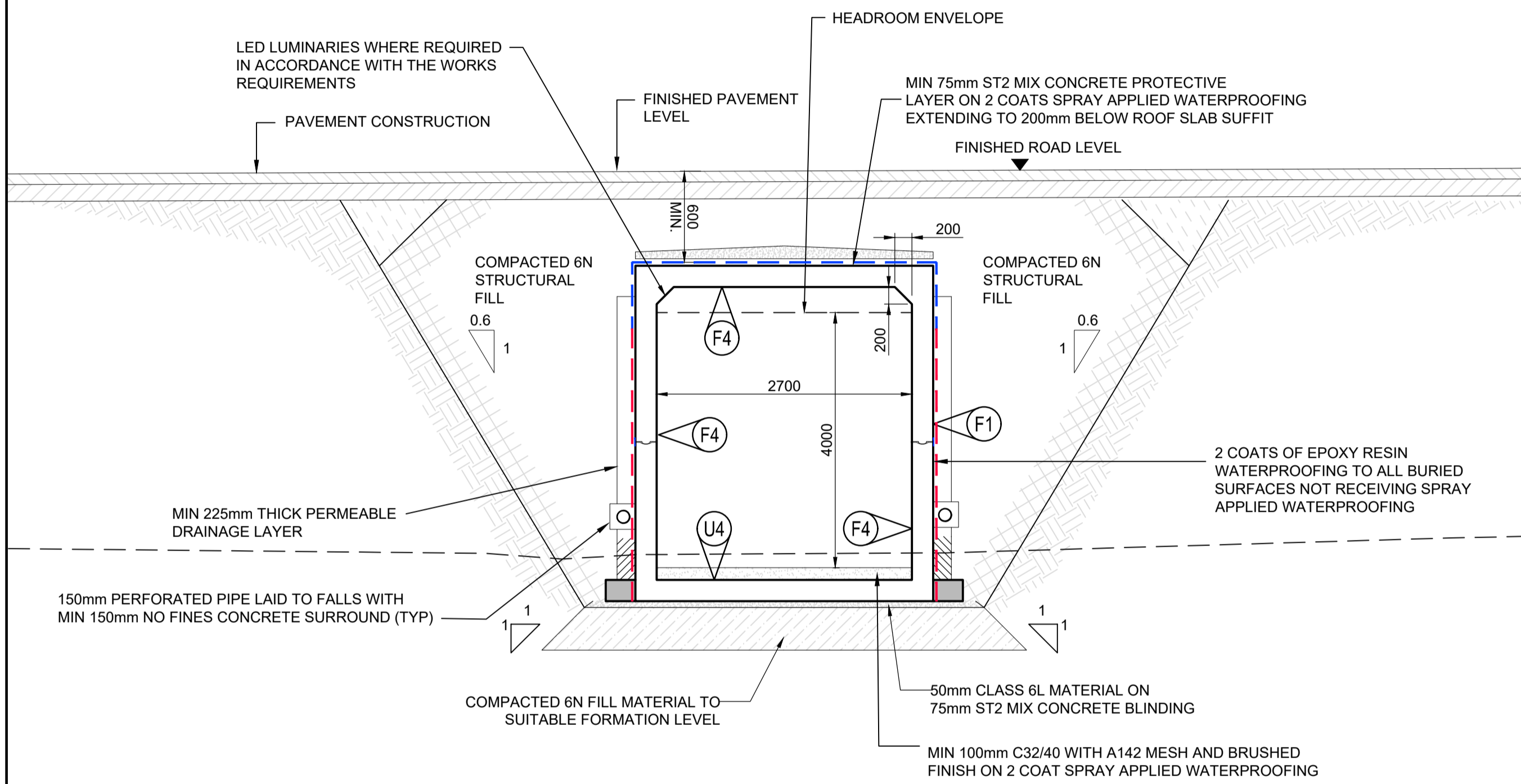


LONG SECTION ALONG UNDERPASS 2 CH2150 CENTRELINE

SCALE at A1 1:100  
SCALE at A3 1:200

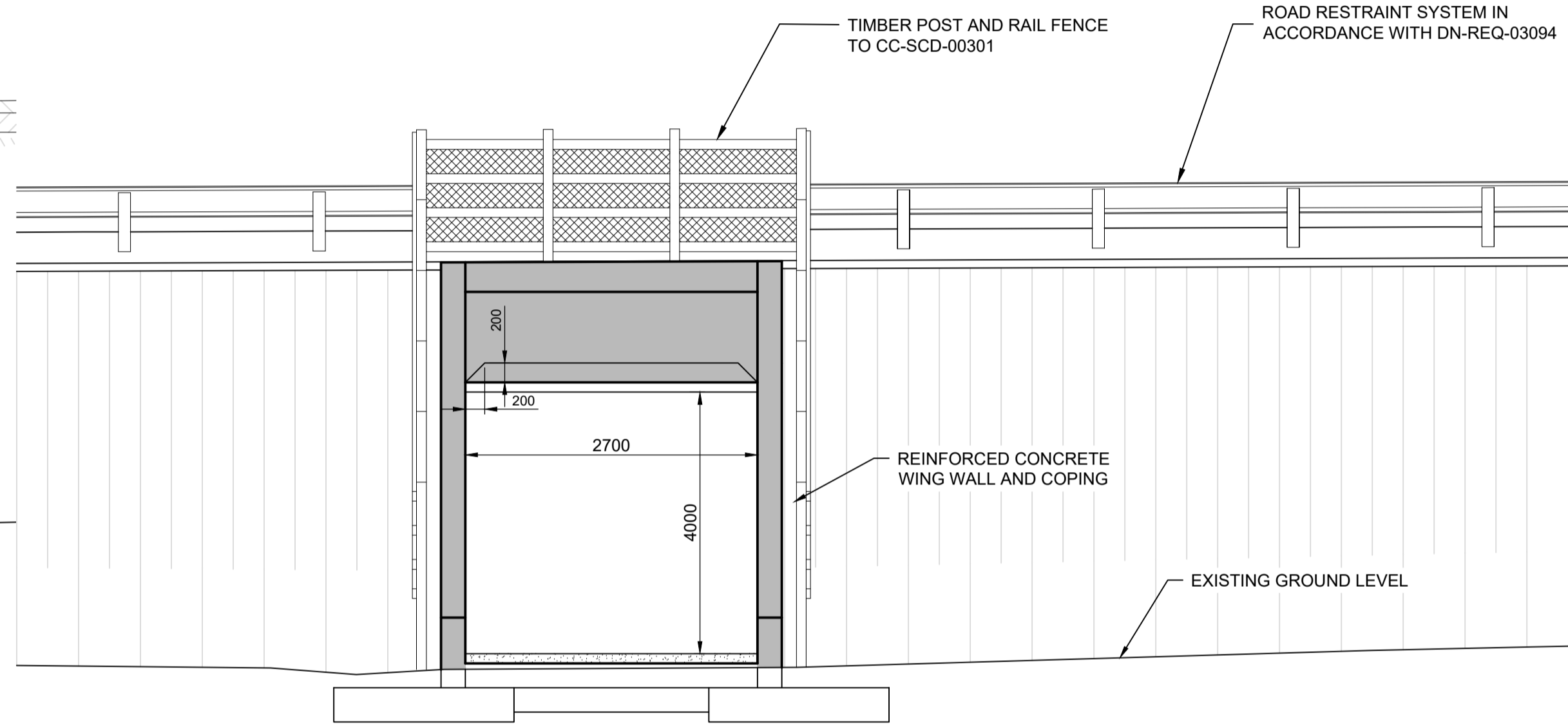
GENERAL NOTES

1. ALL DIMENSIONS ARE IN MILLIMETRES UNLESS NOTED OTHERWISE
2. ONLY WRITTEN DIMENSIONS SHALL BE USED. NO DIMENSIONS SHALL BE SCALED FROM THE DRAWINGS
3. ALL LEVELS ARE IN METRES AND ARE TO MALIN HEAD DATUM
4. ALL COORDINATES ARE IN METRES AND ARE TO IRISH TRANSVERSE MERCATOR
5. DRAWINGS ARE TO BE READ IN CONJUNCTION WITH THE SPECIFICATION



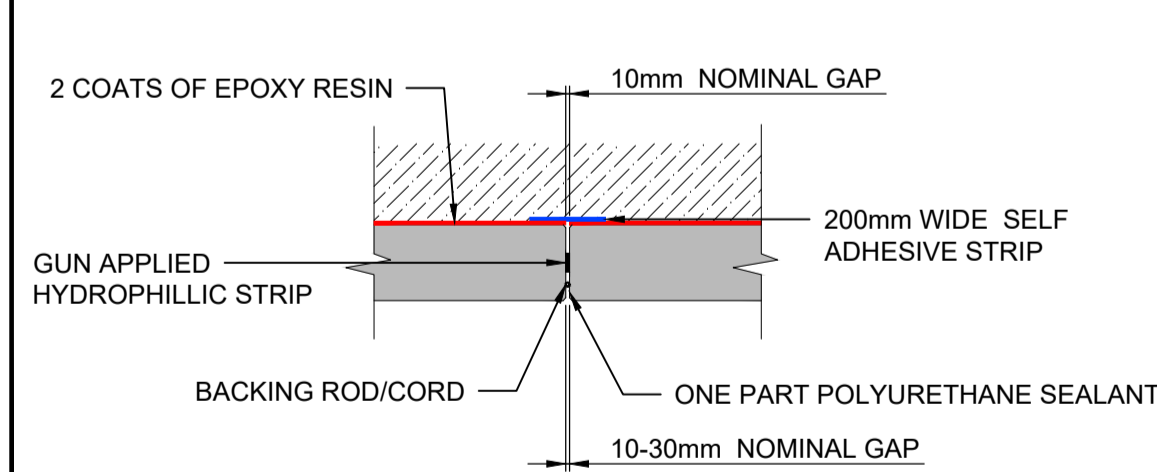
TYPICAL CROSS SECTION

Scale at A1 1:50  
Scale at A3 1:100



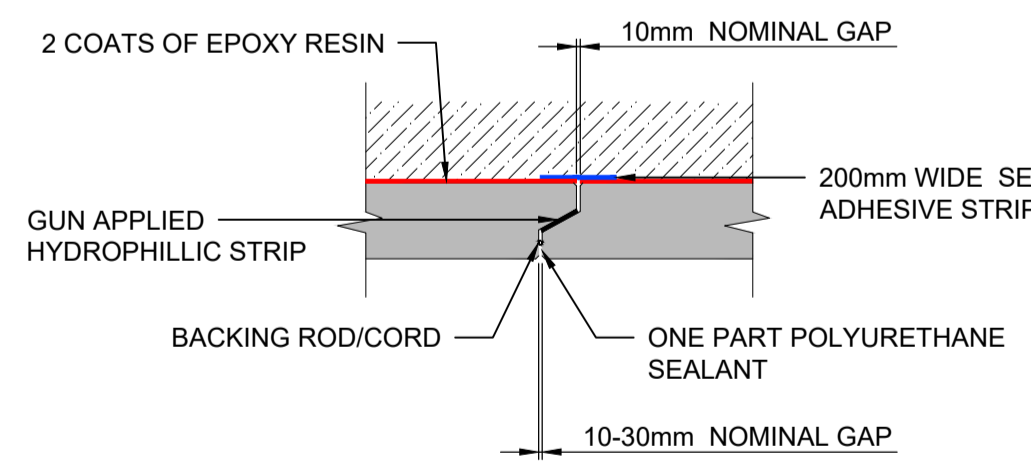
ELEVATION OF UNDERPASS

Scale at A1 1:50  
Scale at A3 1:100



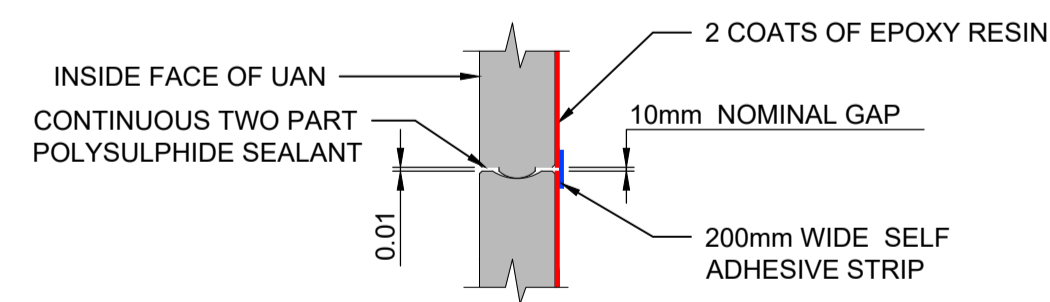
TYPICAL FLAT JOINT DETAIL

SCALE at A1 1:20  
SCALE at A3 1:40



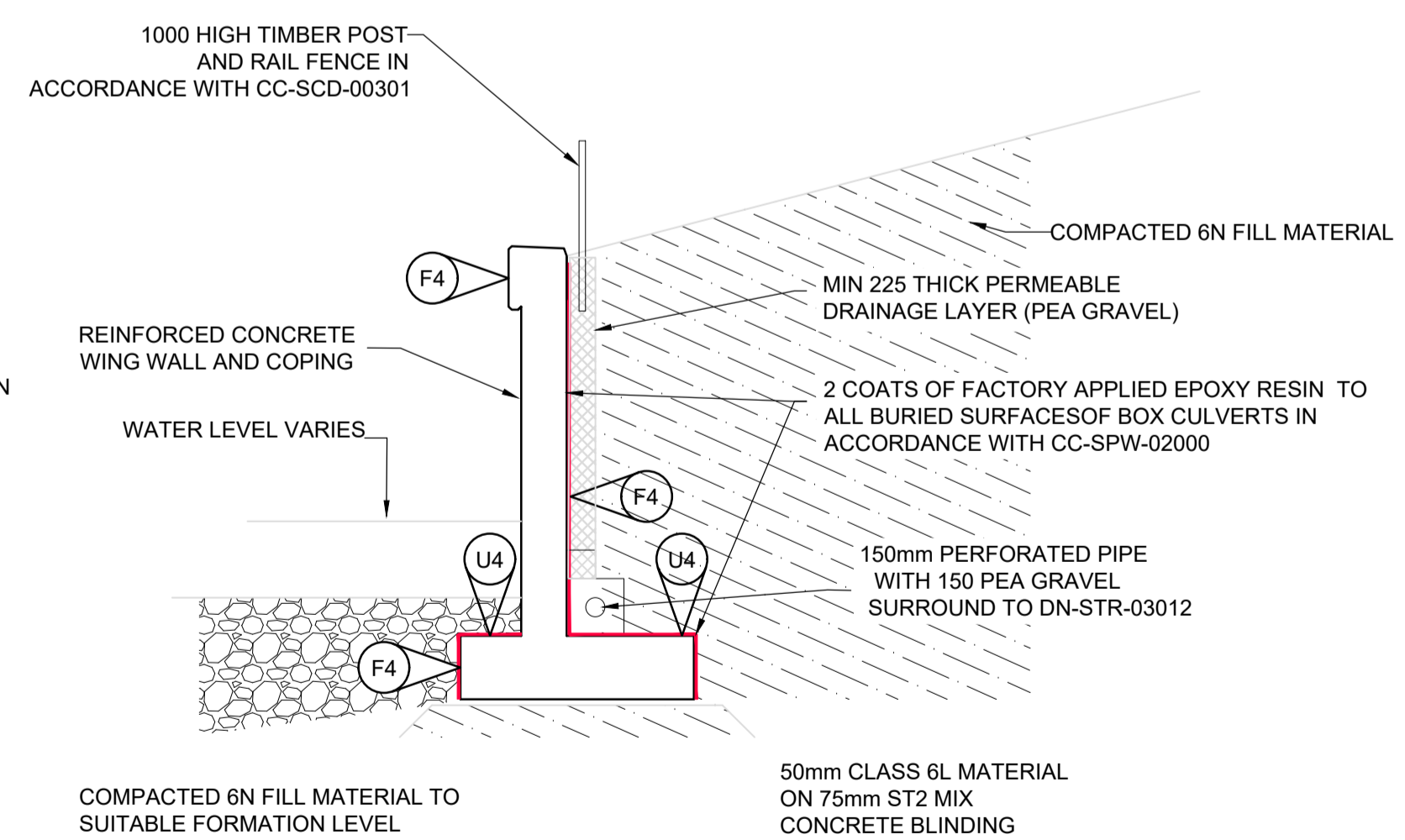
TYPICAL STANDARD JOINTING DETAIL

SCALE at A1 1:20  
SCALE at A3 1:40



TYPICAL UNIT TO UNIT JOINT DETAIL

SCALE at A1 1:20  
SCALE at A3 1:40



TYPICAL SECTION THROUGH WINGWALL

Scale at A1 1:50  
Scale at A3 1:100

© ORDNANCE SURVEY IRELAND LICENSE No. AR 0082517.  
ORDNANCE SURVEY IRELAND & GOVERNMENT OF IRELAND



**An Roinn Iompair  
Turasoireachta agus Spóirt**  
Department of Transport,  
Tourism and Sport

Rev	Description	By	Date	Chk'd	Auth
D	FOR PLANNING	JD	18.09.20	ST	UOH
C	FOR PLANNING	DB	13.08.20	ST	UOH
B	FOR PLANNING	DB	26.02.20	ST	UOH
A	FOR PLANNING	DB	03.07.19	ST	UOH
-	FOR PLANNING	JD	04.06.19	ST	UOH

**SNC · LAVALIN**  
Member of the SNC-Lavalin Group

**ATKINS**

Alkins House, 150-155 Ainslie Business Park, Swords, Co. Dublin  
Tel (+353) 01 810 8000  
Fax (+353) 01 810 8001

Unit 2B, 2200 Cork Airport Business Park, Cork  
Tel (+353) 021 429 0300  
Fax (+353) 021 429 0360

1st Floor Technology House Parkmore Technology Park, Galway  
Tel (+353) 091 786 050  
Fax (+353) 091 779 830

Client	MEATH COUNTY COUNCIL	
Project	N52 GRANGE TO CLONTAIL SCHEME	

Purpose	FOR PLANNING		
Title	PART 8 UNDERPASS 2 CH2150		
Original Scale	AS SHOWN	Design/Drawn	JD
Checked	ST	Authorised	UOH
Date	04.06.19	Date	04.06.19
Status	P	Drawing Number	5158291 / HTR / DR / 0116
Rev			D