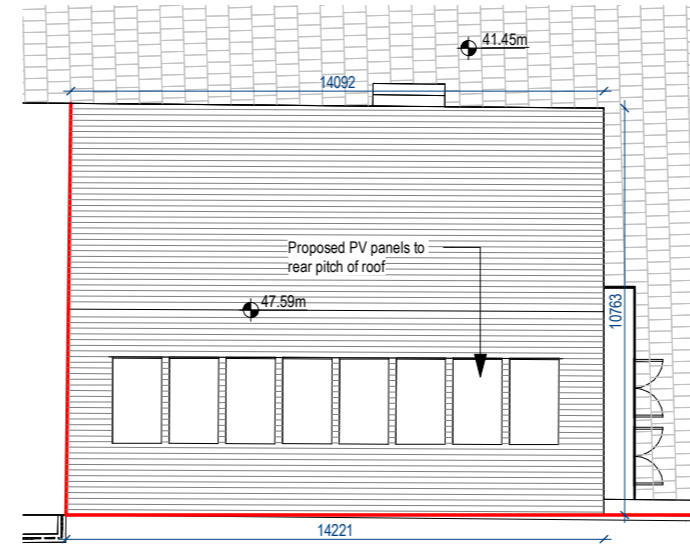
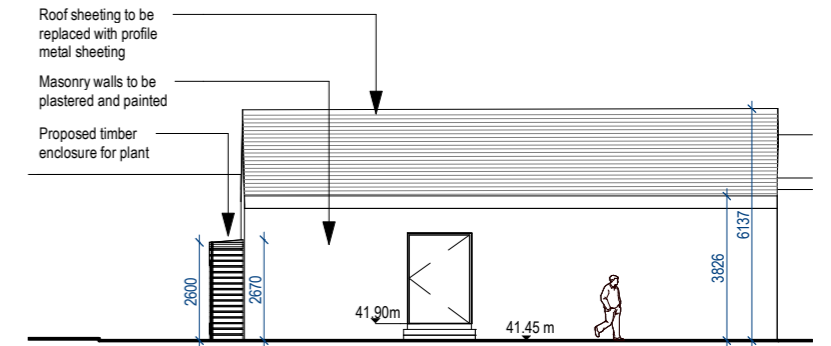


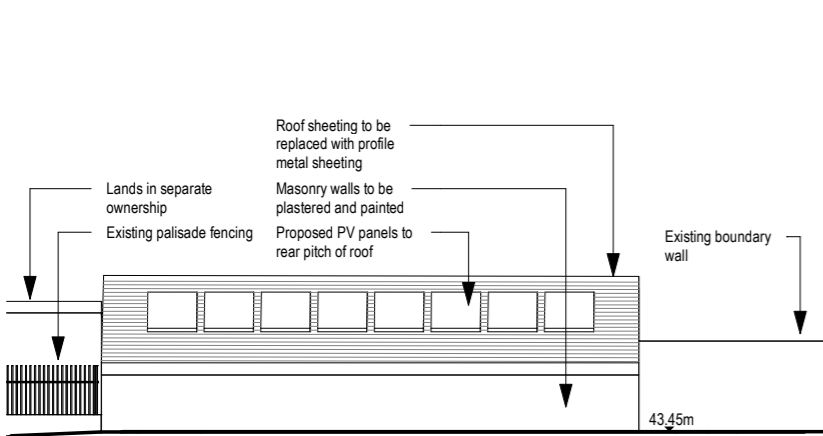
1 Ground Floor
Scale - 1 : 200



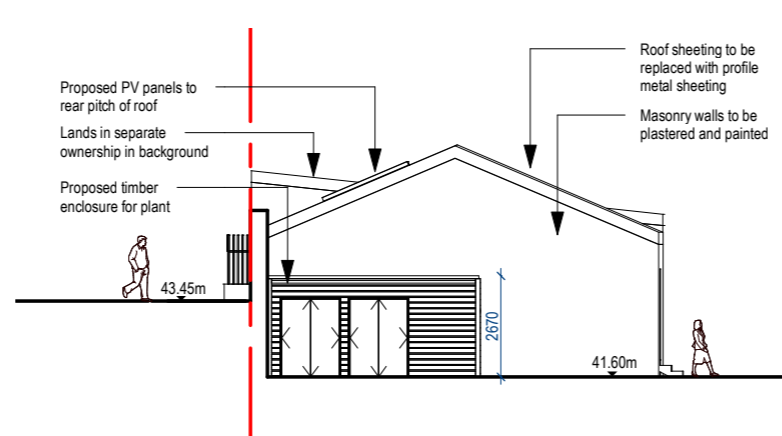
2 Roof
Scale - 1 : 200



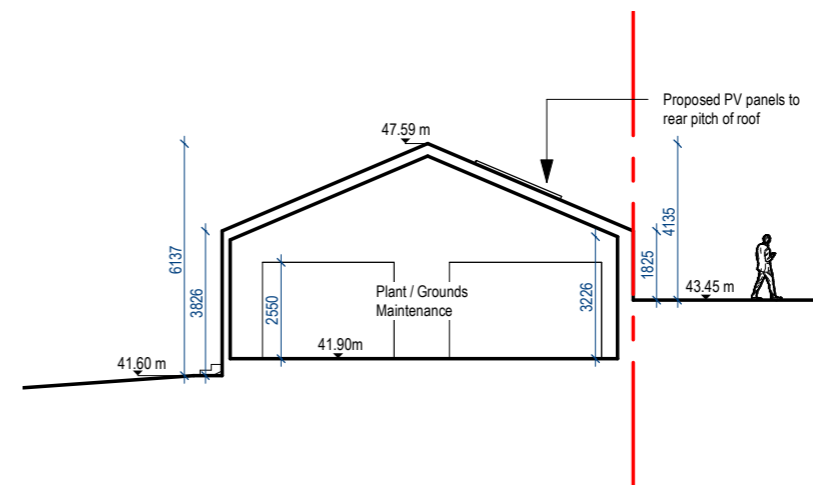
3 Front
Scale - 1 : 200



4 Rear
Scale - 1 : 200



5 Side
Scale - 1 : 200



6 Section AA
Scale - 1 : 200

"COPYRIGHT AND OWNERSHIP OF THIS DRAWING IS VESTED IN OC+C ARCHITECTS LIMITED WHOSE PRIOR WRITTEN CONSENT IS REQUIRED FOR ITS USE, REPRODUCTION OR FOR PUBLICATION TO ANY THIRD PARTY. ALL RIGHTS RESERVED BY THE LAW OF COPYRIGHT AND BY INTERNATIONAL COPYRIGHT CONVENTIONS ARE RESERVED TO OC+C AND MAY BE PROTECTED BY COURT PROCEEDINGS FOR DAMAGES AND/OR INJUNCTIONS AND COSTS."

DO NOT SCALE THIS DRAWING
ALL WRITTEN DIMENSIONS ARE IN MILLIMETRES
ANY INCONSISTENCIES TO BE REPORTED TO THE ARCHITECT IMMEDIATELY

© OC+C ARCHITECTS 2020

		16 Merrion Row, D02 CF90 Dublin t: +353 01 516 4342 www.ocandcarchitects.ie info@ocandcarchitects.ie	
Rev.	Date	Description	by
DRAWN	PROJECT	SCALE	STATUS
KMcS	Meath Co. Archive	1 : 200 @ A3	PLANNING (NOT FOR CONSTRUCTION)
CHECKED	CLIENT		
ROC	Meath CoCo		
DRAWING TITLE			REVISION
Plant / Grounds Maintenance, (Proposed)			
DRAWING NUMBER			
21C02-P-1010			