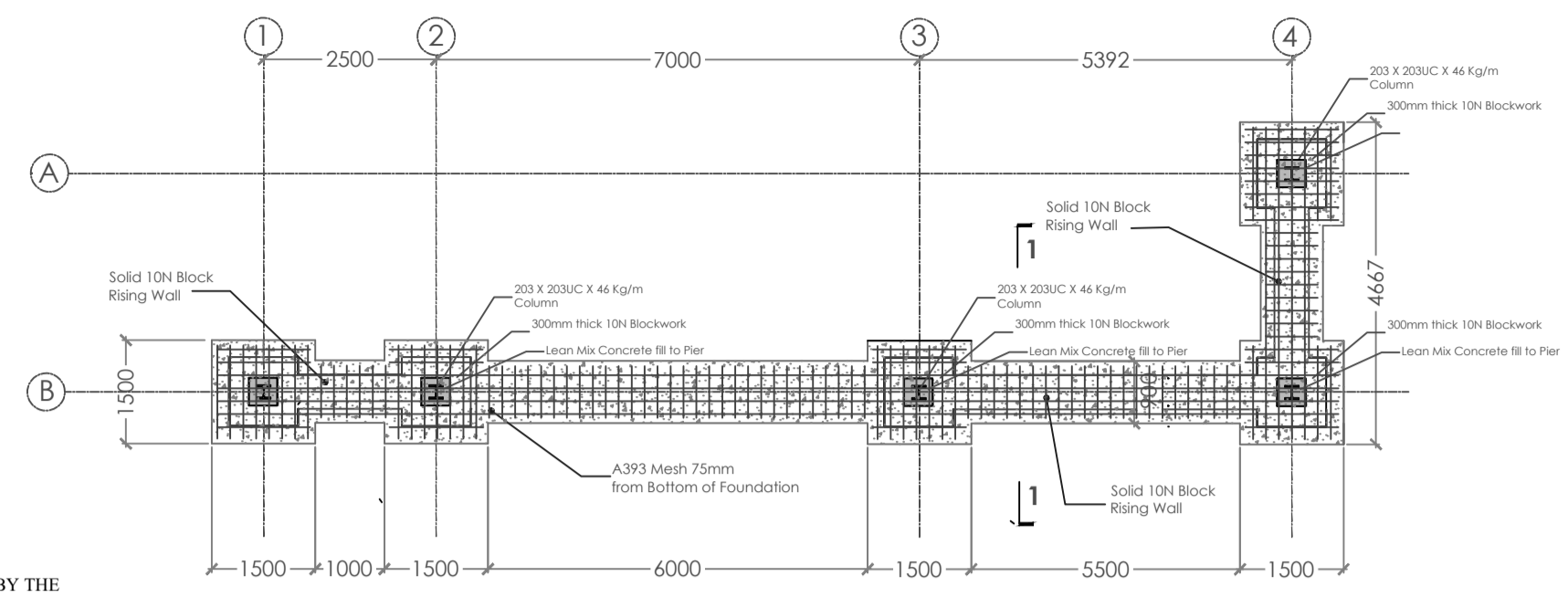


**GENERAL NOTES**

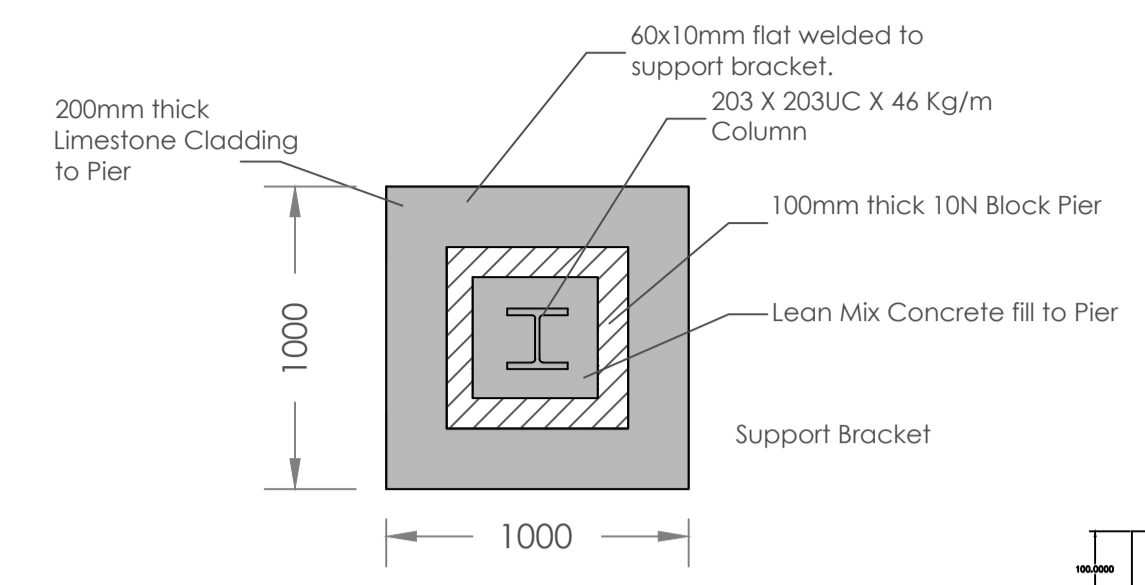
1. This drawing is the property of Meath County Council, it is a confidential document and must not be copied, used, or reproduced without prior written consent.
2. Unless stated otherwise, all levels refer to Ordnance Survey Datum, Malin Head, and all coordinates refer to Irish Transverse Mercator (ITM) Grid.
3. DO NOT SCALE, use figured dimensions only, if in doubt ask.

ALL DIMENSIONS TO BE CHECKED ON SITE BY THE CONTRACTOR AND IT IS THE RESPONSIBILITY OF THE CONTRACTOR TO ENSURE THAT ALL WORKS ARE CARRIED OUT IN ACCORDANCE WITH CURRENT BUILDING REGULATIONS AND GOOD BUILDING PRACTICE. ANY ERRORS OR DISCREPANCIES MUST BE REPORTED TO THE ENGINEERS IMMEDIATELY.

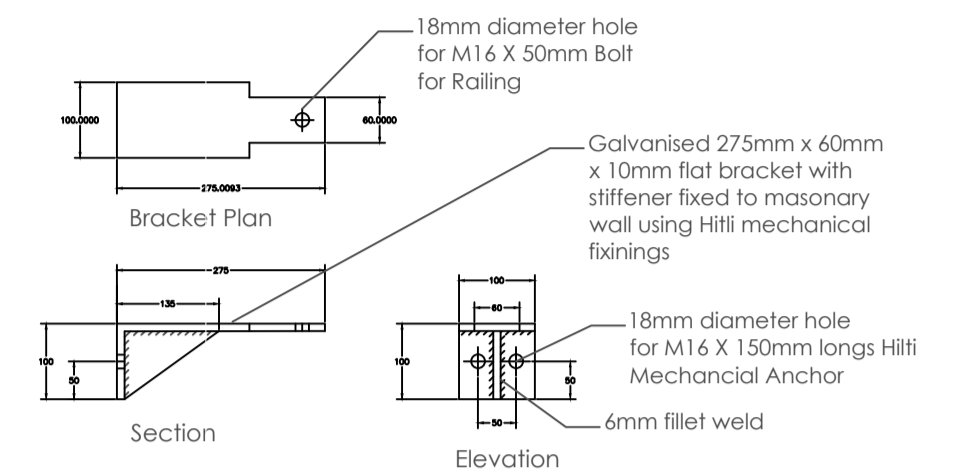


**Entrance Foundation Plan**  
Scale 1:100

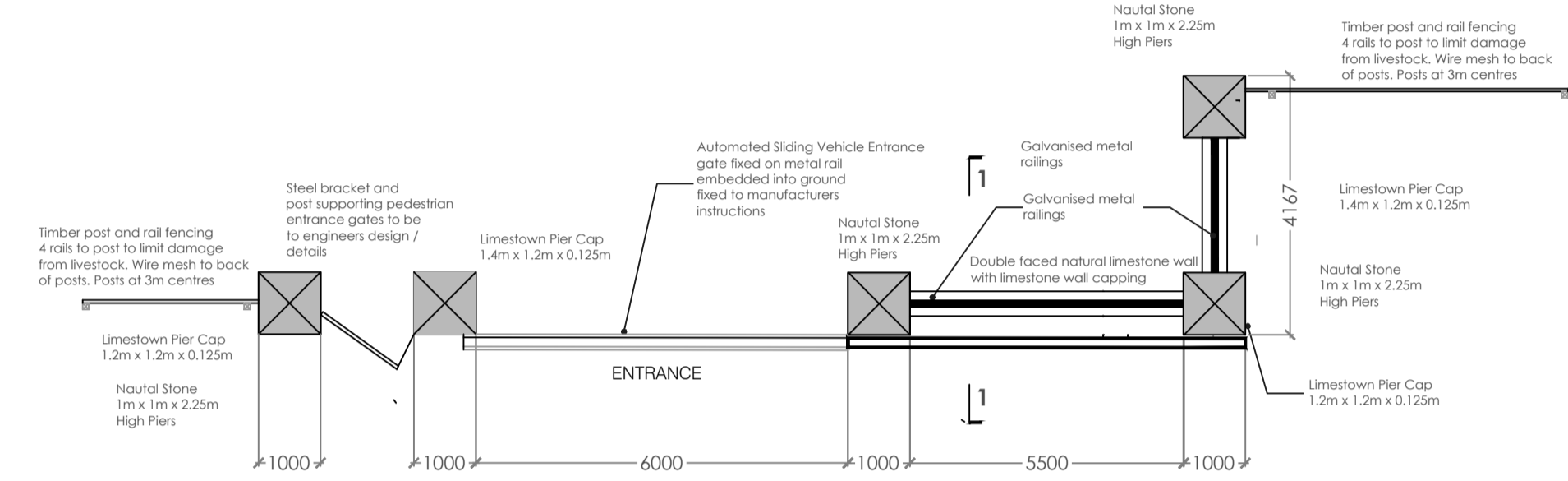
**FOUNDATIONS**  
All concrete to foundations to be grade 35N 20 min. and min. layer of A393 mesh 75 mm from bottom of all foundations. All foundation to engineers spec. and depth of dig or formation level is subject ground conditions and to inspection of same. All works to be carried out in accordance with Planning & Building Regulations irrespective of details supplied. Foundation Levels Are To Be Approved On Site By Engineer / Architect.



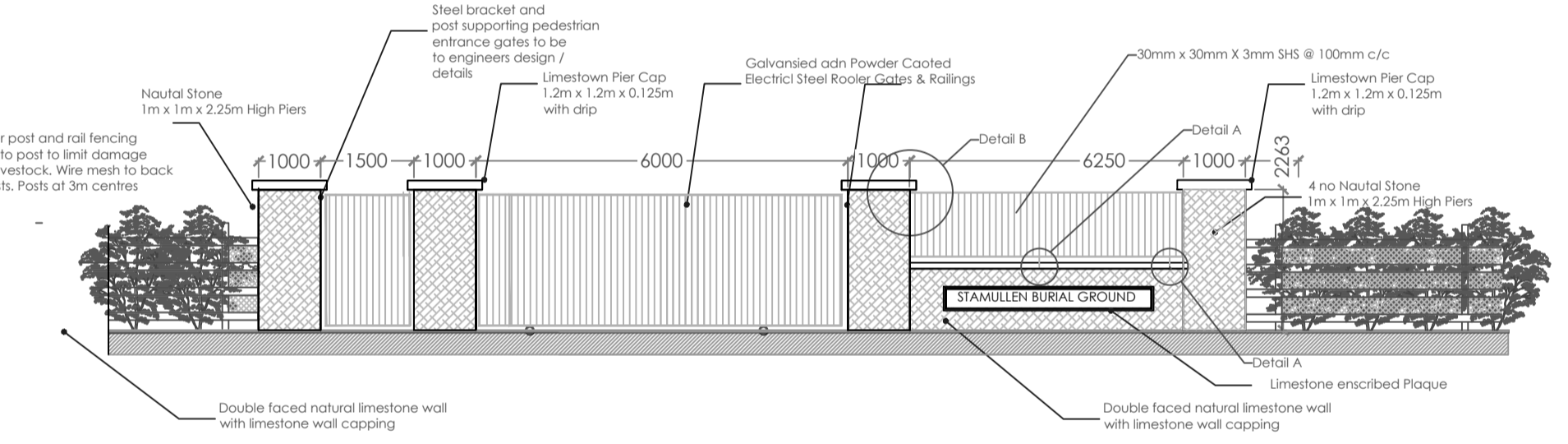
**Entrance Pier Plan**  
Scale 1:50



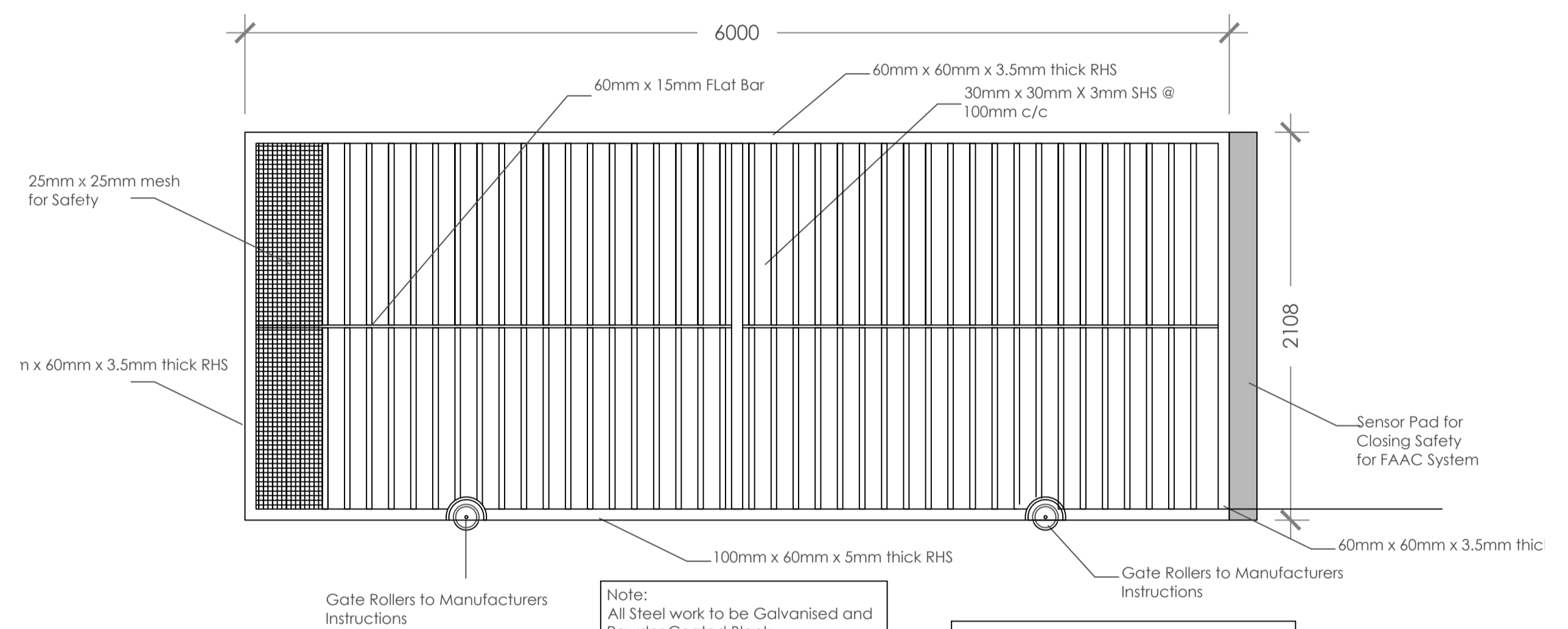
**Wall Bracket Detail**  
Scale 1:10



**Entrance Plan**  
Scale 1:100

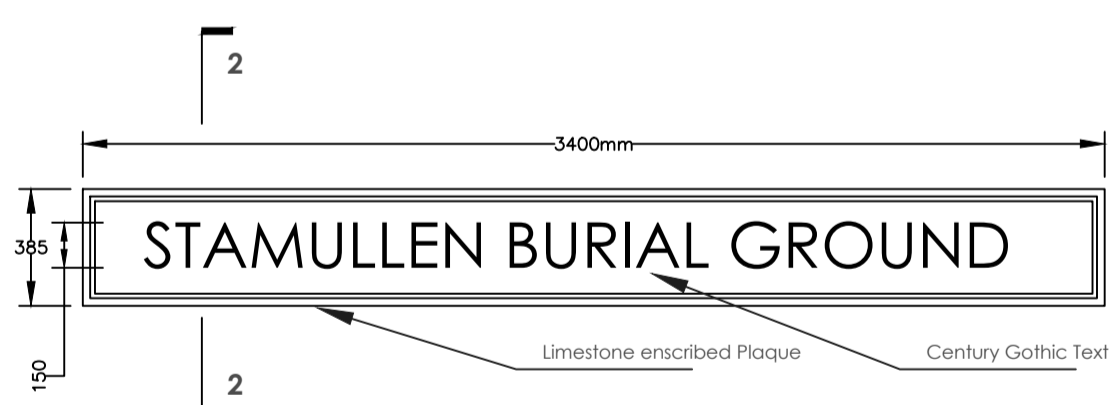


**Entrance Elevation**  
Scale 1:100



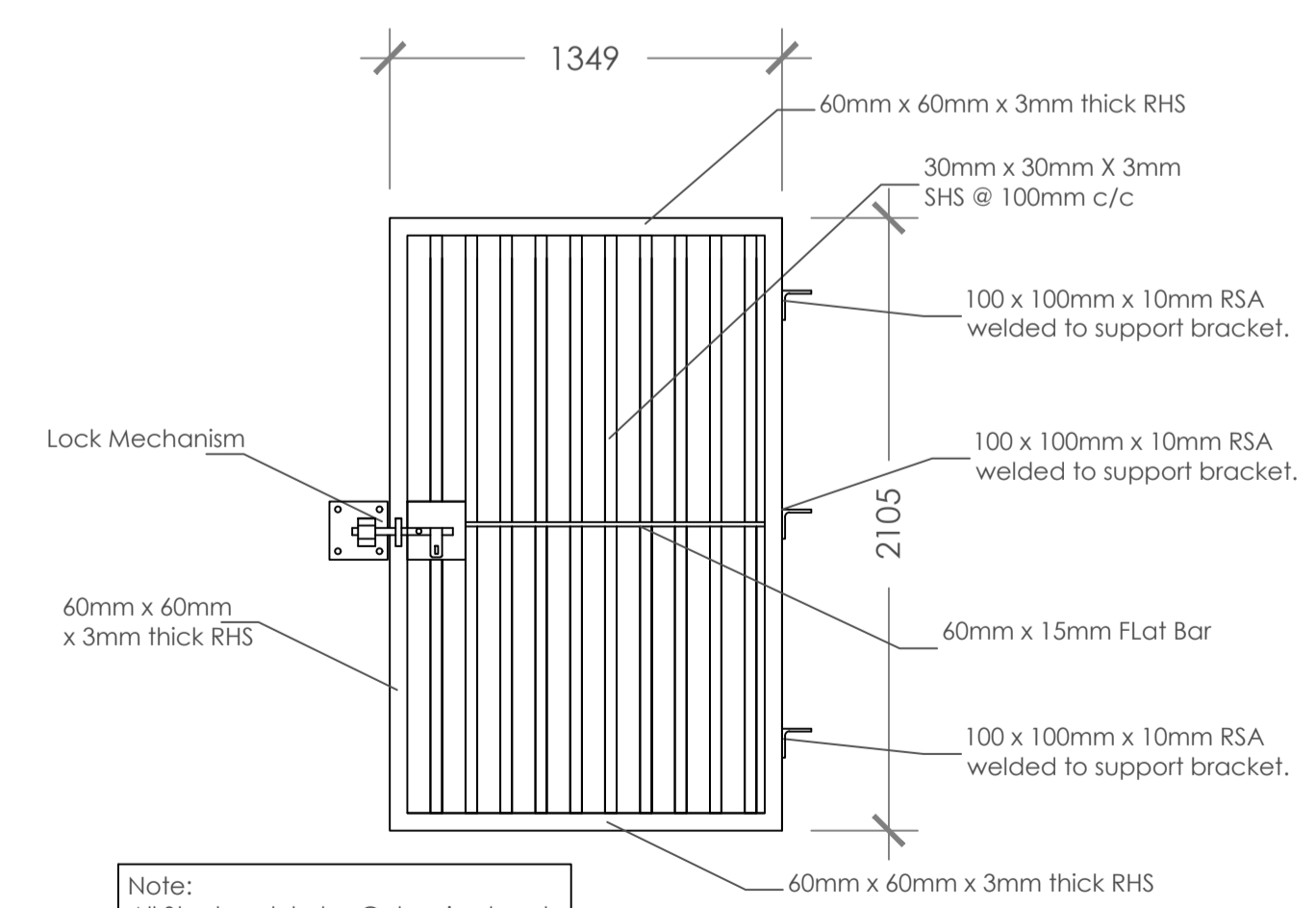
**Vehicular Gate Specification**  
Scale 1:25

FAAC 844ER Electric Sliding Gate System to include Sensors, ground rail alarms and GSM for remote opening

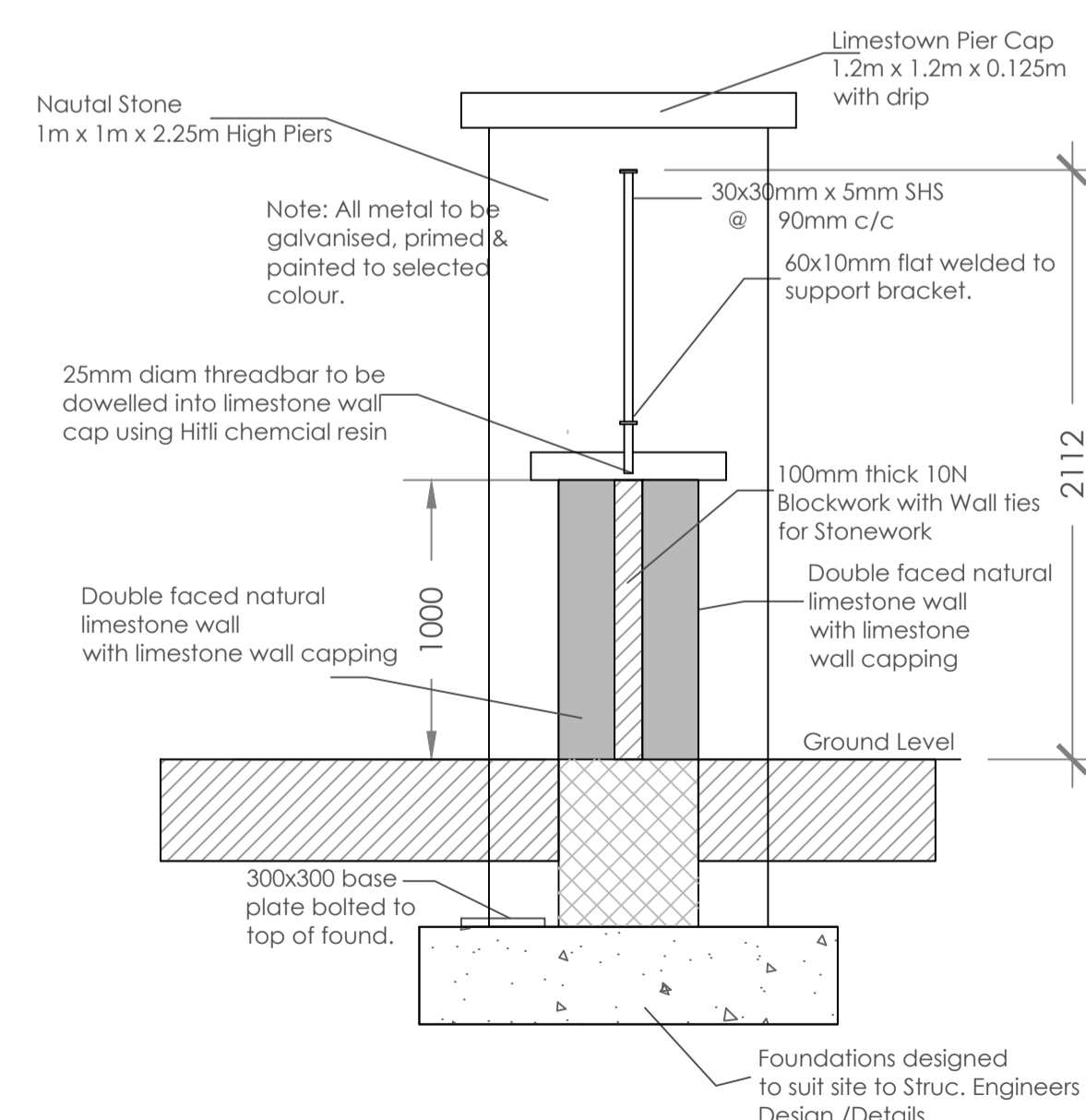


**Plaque Elevation**  
Scale 1:25

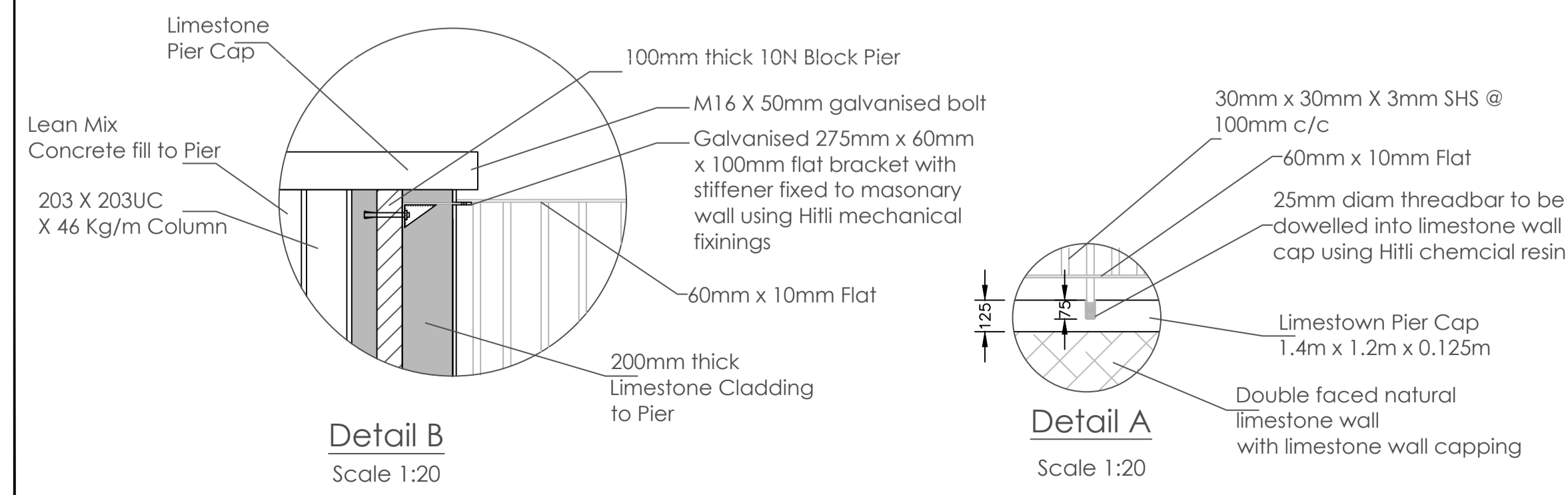
Section 2 - 2



**Pedestrian Gate Specification**  
Scale 1:25



**Section 1 - 1**  
Scale 1:50



**Detail B**  
Scale 1:20

**Detail A**  
Scale 1:20

No.	Date	Amendment / Issue	Dm	Chk	APP
Stage: <b>PART 8 PLANNING</b>					
Comhairle Chontae na Mí <b>Meath</b> County Council					
Buvinda House, Dublin Road, Navan, Co Meath C15 Y291 T: 046 909 7000 F: 046 909 7001 W: www.meath.ie					
Project: <b>Proposed New Stamullen Burial Ground, Playground, &amp; Woodland Walk at Gormanston Co. Meath</b>					
Title: <b>Entrance Details</b>					
OS Sheet No: 2513D					
Drawn by: DG	Checked by: LW	Approved by: DMcG			
File Reference: <b>ENV/BG-206</b>					
Scale: A1 as shown	Dwg. No: <b>08</b>	Rev:			
Date: 8.05.2023					