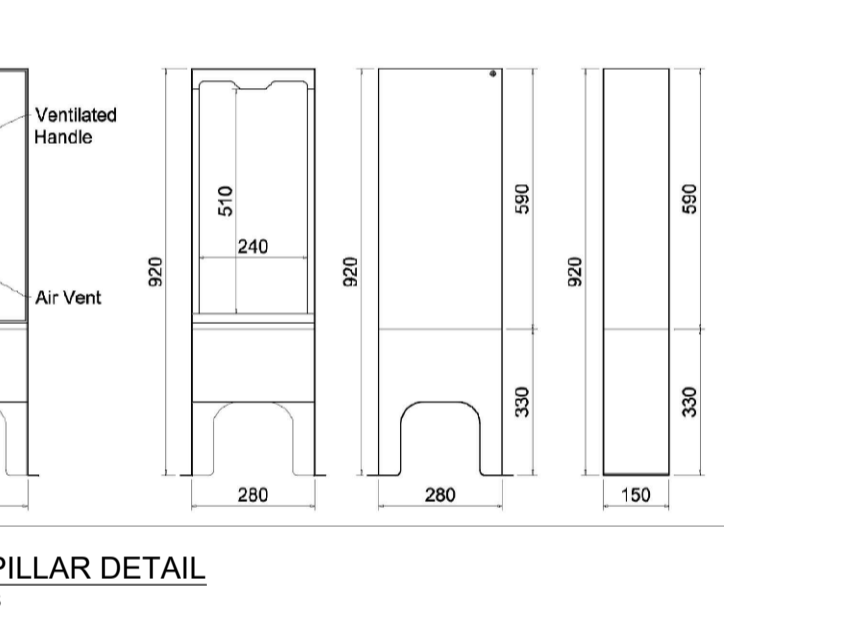
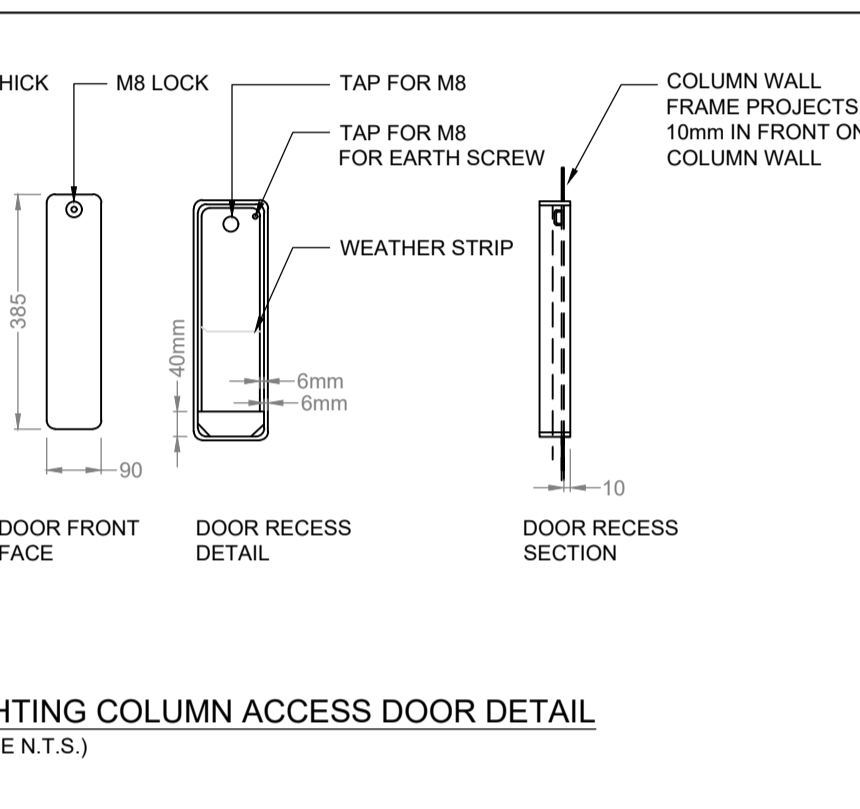
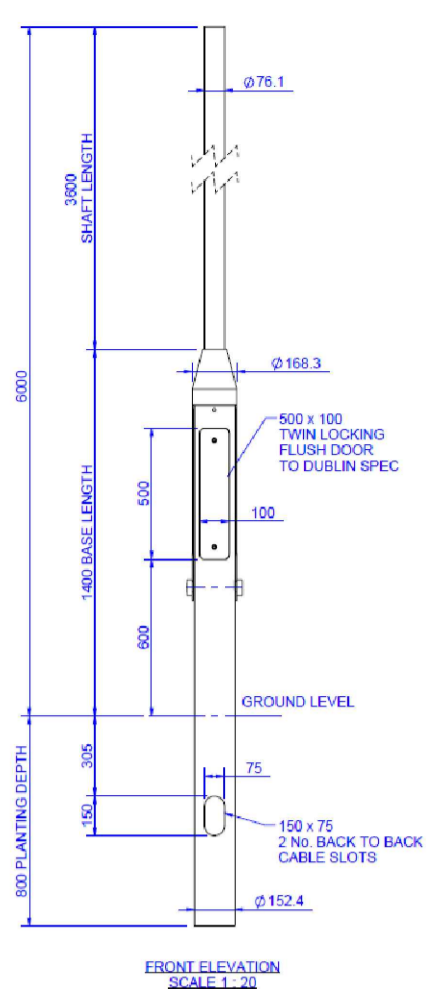
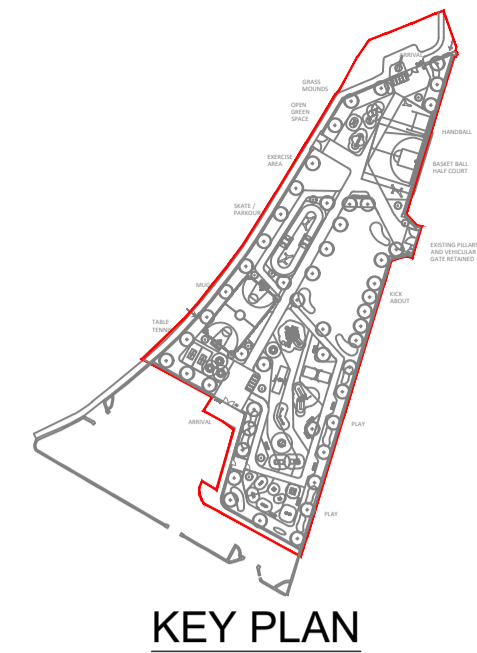
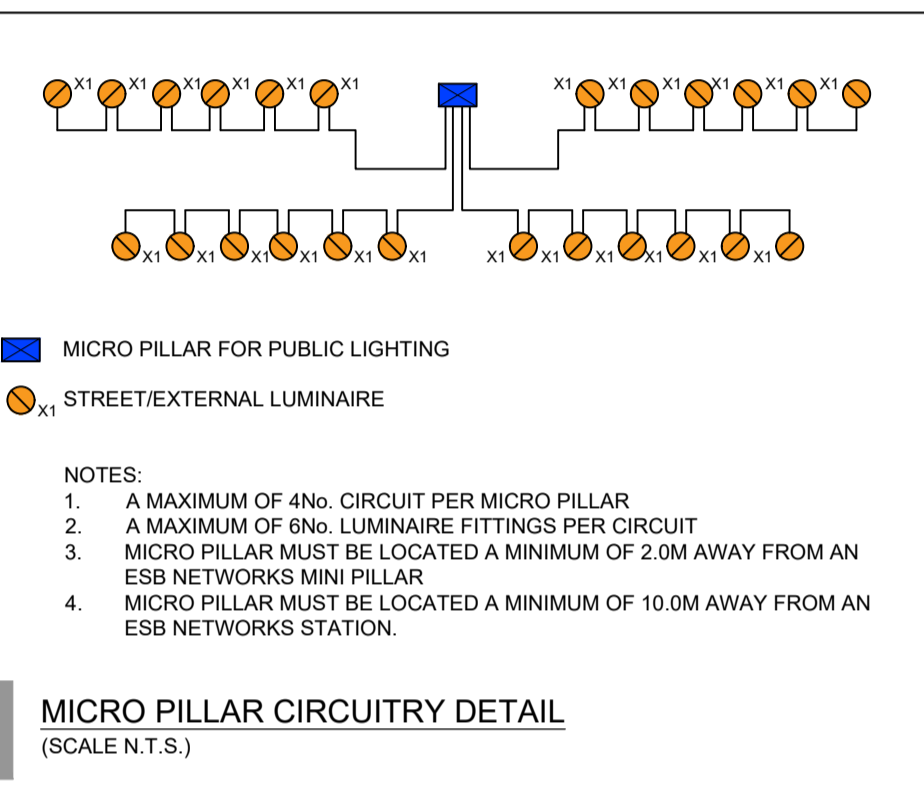




SITE PLAN
SCALE 1:500



Height / Ref. Drg. No.	Light Duty		
	6m: SMHH CC4214	8m: SMHH CC4573	8m: SMHH CC4327
Units			
Column Cross-section Type	Oct.	Oct.	Oct.
Dim. at G.L. / TOP	212 AF / 076	208 AF / 069	212 AF / 076
Door Aperture - Qty x L x W	2 x 600 x 135	2 x 600 x 135	2 x 600 x 135
Door Aperture - Depth	115 to 130	115 to 130	115 to 130
Planted Depth (if req'd)	1.0	1.2	1.2
F/Plate (if req'd) - Dimensions	420 x 420 x 25 thk.	420 x 420 x 25 thk.	420 x 420 x 25 thk.
A/Bolt - Centres / P.C.D.	300 / 424.2	300 / 424.2	300 / 424.2
A/Bolt - Qty x Ø x L	4 x M24 x 820	4 x M24 x 820	4 x M24 x 820
Column Weight	125	148	175
Wind Ref.	12WJHCHS9C	12WJHCHS9C	12WJHCHS9C
Column Design Capacities			
Headweight - min	15	10	15
Headweight - max	150	70	150
Max Windage Area in Wind Loading Regions:			
Light	2.1	1.95	1.55
Medium	2.1	0.98	1.4
Heavy	2.1	0.9	1.25
E. Heavy	1.7	0.7	0.95
Max. Design Q/T.mom. @ G.L.	23.6	19.44	24.87
Total Max Design Shear Load	4.92	3.81	5.2
Foundation size (F/P Column)	0.9 sq x 1.1 depth	0.8 sq x 1.0 depth	0.9 sq x 1.2 depth
(Ground Pressure: 200 kN/m ²)	(NON B.S.)	(NON B.S.)	(NON B.S.)
Foundation Ø (P/R Column)	Ø1.43 x 1.0 depth	Ø0.68 x 1.2 depth	Ø0.87 x 1.2 depth
(Ground Pressure: 230 kN/m ²)	(PD 6547)	(PD 6547)	(PD 6547)



KEY PLAN

- NOTES**
- ALL EXTERIOR LIGHTING SHALL COMPLY WITH CODE OF PRACTICE FOR THE DESIGN OF ROAD LIGHTING BS5489-1:2013, EN13201:2015, MEATH COUNTY COUNCIL PUBLIC LIGHTING SPECIFICATION, NATIONAL REQUIREMENTS FOR ELECTRICAL INSTALLATION IS10101 & PART 2.3 PARTICULAR REQUIREMENTS FOR PUBLIC LIGHTING INSTALLATIONS.
 - THE EXTERNAL LIGHTING LAYOUT HAS BEEN DESIGNED IN ACCORDANCE WITH BS 5489-1:2013 AND EN 13201-2015 STANDARDS.
 - PUBLIC LIGHTING DUCTING SHALL COMPLY WITH BS EN 50086-1-2-3-4 LATEST EDITION & SHALL BE SINGLE WALL, COLORED RED & MANUFACTURED FROM HIGH DENSITY POLYPROPYLENE.
 - THE NOMINAL EXTERNAL DIAMETER OF THE DUCT SHALL BE 107mm WITH A MINIMAL WALL THICKNESS OF 5mm. EACH LENGTH OF DUCT SHALL BE STAMPED WITH THE WORDS "PUBLIC LIGHTING" OR ALTERNATIVELY, "STREET LIGHTING". IN 18mm BLACK LETTERING AT 0 DEGREES, AT ONE METRE INTERVALS. DUCTS SHALL BE LAID WITH THIS LEGEND FACING UPWARDS. DUCTING SHALL BE LAID IN A STRAIGHT LINE CLOSE TO THE LINE OF THE COLUMN LOCATIONS & SHALL CONTAIN A CONTINUOUS DRAW WIRE OF 8KN STRENGTH. ALL DUCTS SHALL BE PROVEN WITH BRUSH AND MANDRILL. POLYPROPYLENE ROPED AND PLUGGED AND COMPLIANT WITH ET-101 REQUIREMENTS RED DUCT SHALL BE USED FOR EXTERIORS LIGHTING CABLES.
 - A MINIMUM DEPTH OF 600mm COVER IS REQUIRED IN URBAN PATHWAYS & A MINIMUM OF 800mm COVER IS REQUIRED FOR GRASS MARGINS, PEDESTRIAN WAYS, LANEWAYS & GATEWAY ENTRANCES & A MINIMUM DEPTH OF 750mm IS REQUIRED AT ROAD CROSSINGS OR IN CARRIAGEWAYS.
 - ALL CABLE DRAW INSPECTION PITS SHALL BE OF DUCTILE IRON GALVANISED STEEL FRAME WITH FRAME OPENING OF 615mm x 615mm TO CONFORM TO EN124B125 MARKED "PUBLIC LIGHTING" OR TRAFFIC WITH M16 STAINLESS STEEL LOCKING BOLT. ALL CABLE DRAW INSPECTION PITS FOR USE ON CARRIAGEWAYS SHALL BE OF THE SAME DIMENSION AS ABOVE WITH HIGH STRENGTH ENGINEERING OR SITU CONCRETE. COVERS AND FRAMES SHALL BE APPROVED BY LICENSED BODY NSAI OR BRITISH STANDARDS INSTITUTE OF QUALITY ASSURANCE. SERVICES CABLE CHAMBERS ARE REQUIRED AT ALL ROAD CROSSINGS.
 - ALL EQUIPMENT TO BE SUITABLY IP RATED FOR THE ENVIRONMENT THEY ARE BEING INSTALLED.
 - ESB NETWORKS DUCT ROUTES TO MINI PILLAR TO BE CONFIRMED WHEN ESB NETWORK SUB-STATION LOCATION IS FINALISED ESB DUCTING AND ESB CABLEING TO MINI PILLAR LOCATION BY ESB.
 - PUBLIC LIGHTING CABLEING TO BE IN ACCORDANCE WITH MEATH COUNTY COUNCIL PUBLIC LIGHTING SPECIFICATION.
 - LIGHT COLUMN SETBACK SHALL BE 0.8M FROM KERBS IN ACCORDANCE WITH BS5489-1 TABLE 2. IF THERE IS NO RAISED KERBS, PROVIDED COLUMNS SHOULD BE SET TO THE BACK OF THE FOOTPATH.
 - CONTRACTOR TO INCLUDE A REAR LIGHT SHIELD TO BE FITTED ON EACH LUMINAIRE TO AVOID LIGHT TRESPASS AT THE LOCATIONS INDICATED. SIDE LIGHT SHIELD TO BE INCLUDED FOR AS REQUIRED.

- SCHEDULE OF SYMBOLS**
- PHILIPS TOWNTURN BDP260 DW52 4.50klm 27W CLO MOUNTED ON 6M POLE HINGED
 - PHILIPS CLEARFLOOD BVP650 OFA52 26klm 150W CLO MOUNTED ON 8M POLE HINGED
 - PHILIPS CLEARFLOOD BVP650 DX50 26klm 150W CLO MOUNTED ON 8M POLE HINGED
 - Ø125mm BLACK DUCT FOR PUBLIC LIGHTING COLUMNS SERVED FROM ESB MICRO PILLAR 6.0mm SINGLE PHASE ARMOURD CABLES XLPE / SWA / PVC / CU. 6 TO 8 LIGHTS PER CIRCUIT
 - PUBLIC LIGHTING MICRO PILLAR



TYPE A TYPE B TYPE C

P2	PART 8 PLANNING	SK	KDL	NP	05/07/23
P1	PRELIMINARY ISSUE	SK	KDL	NP	03/07/23

REV ISSUE DRN ENG APP DATE

1st Floor, Block A,
Citywest Shopping Centre, D24

01 2530710 info@pmp.ie www.pmp.ie

CLIENT comhairle chontae na meath county council

ARCHITECT
PARK HOOD CHARTERED LANDSCAPE ARCHITECTS

PROJECT
FAIR GREEN
OLDCASTLE
CO. MEATH

DISCIPLINE
ELECTRICAL SERVICES INSTALLATION

DRAWING TITLE
SITE LIGHTING LAYOUT

DRAWING No.	SCALE	REV
P055-PMEP-00-00-DR-E-01	1:500@A1 1:1000@A3	P2

