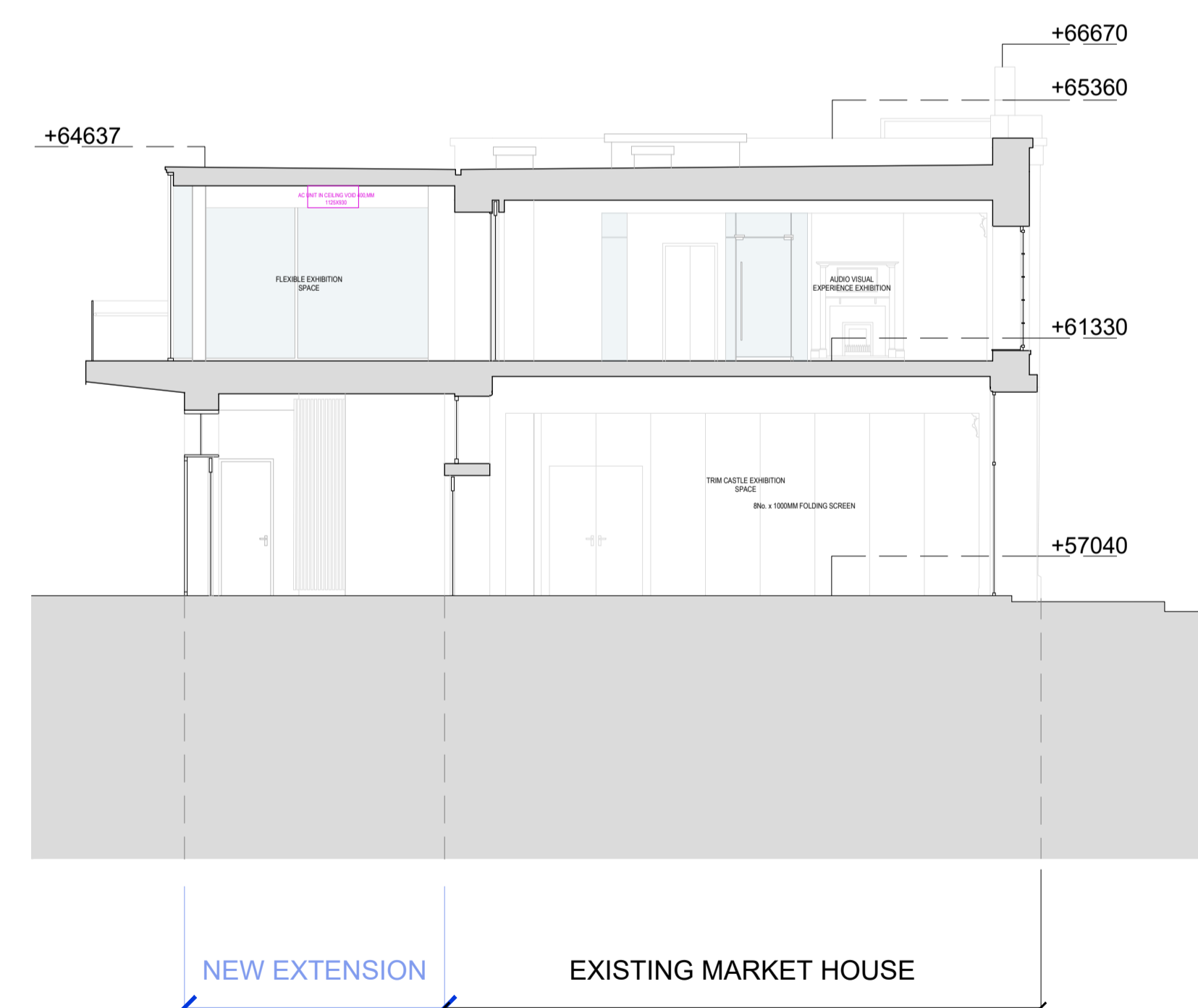




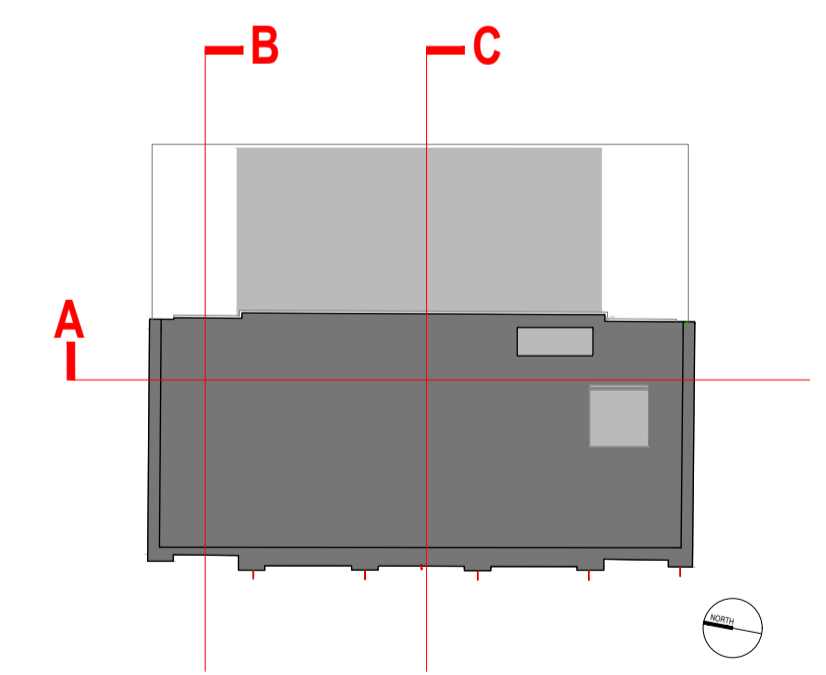
SECTION AA



**SECTION BB
PROPOSED SECTIONS**



SECTION CC



SCALE 1:100 @A1 1:200 @A3



Intermediate Projects	Commissioner in Charge	Design Team	Drawing Revisions	Drawing Title	Project Title
OPW Head Office, Trim, Co. Meath. Telephone: (046) 942 6000 LoCall: 1890 213414 Website: www.opw.ie	ROSEMARY COLLIER Assistant Secretary HERITAGE AND BUILDING SERVICES	TERRI SWEENEY-MEADE MRIAI Assistant Principal Architect MÁIRE O'SULLIVAN MRIAI Senior Architect ZEE GAMMET-PARKER MRIAI Architect TIMOTHY DOWLING MRIAI Architect ALANNA HOLMES Architectural Graduate	REF DESCRIPTION A B C D E	DATE: PROPOSED SECTIONS A-A + B-B + C-C DRAWN CHECKED SCALE DATE ZGP AS SHOWN SEPT 2023	TRIM MARKET HOUSE Trim, Co. Meath REFURBISHMENT AND RENOVATION PROJECT NO. STATUS NUMBER REV. G16.056 PLA 013

