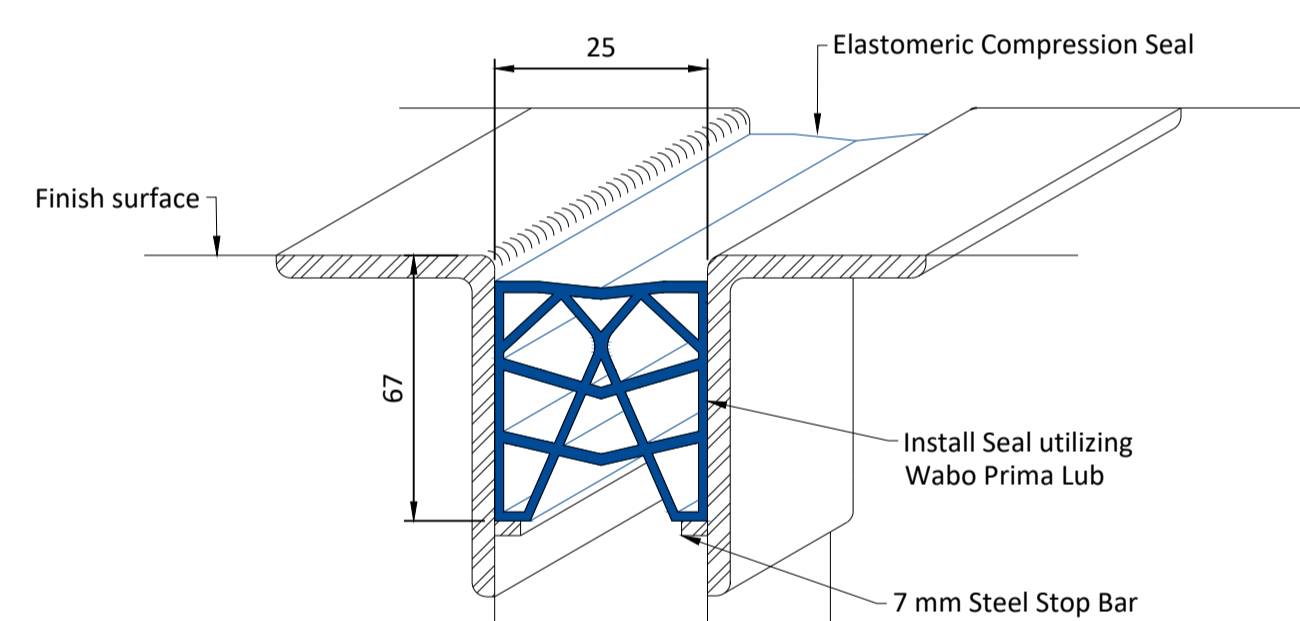
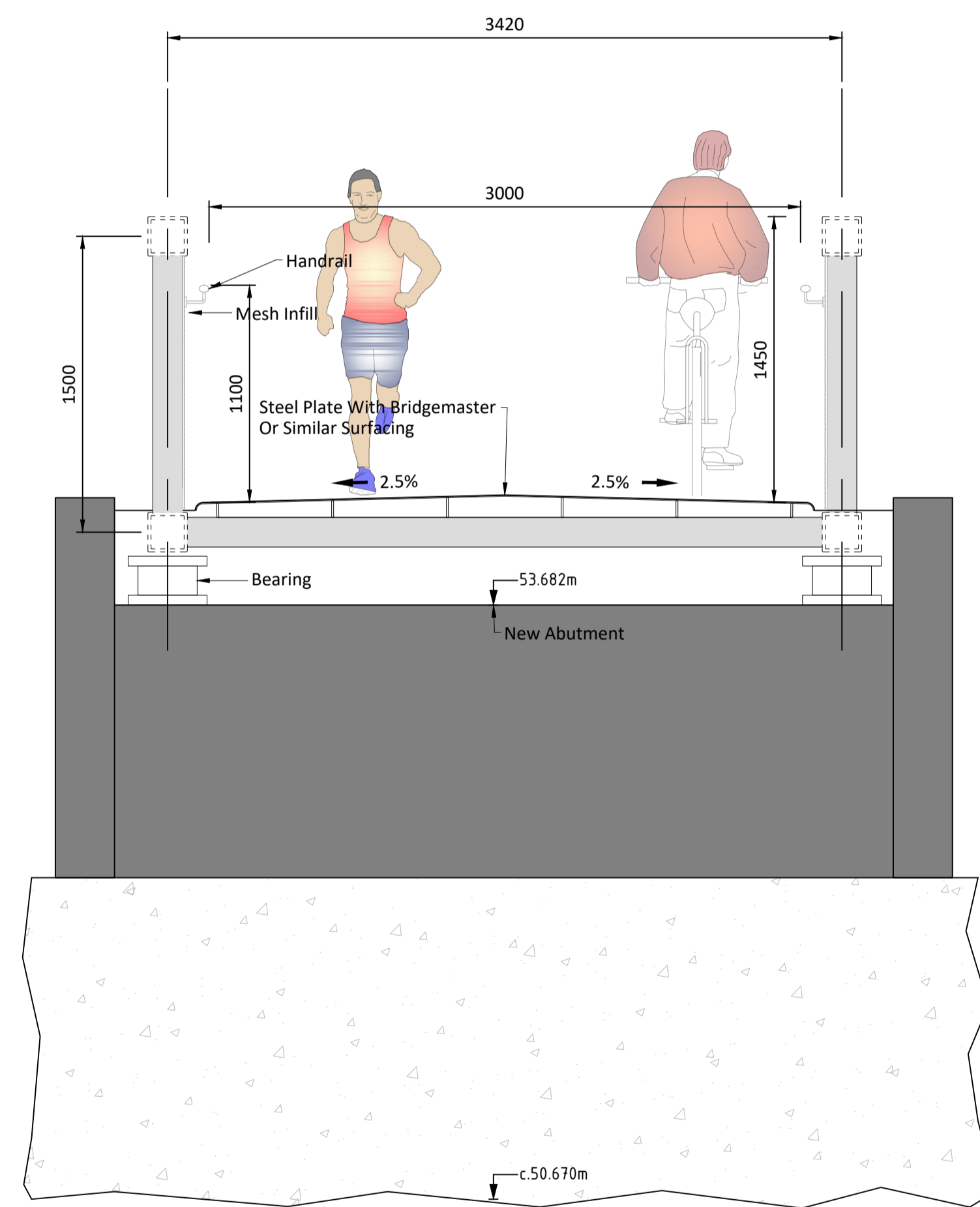


Note:  
Levels given are with reference to Malin Head Benchmark

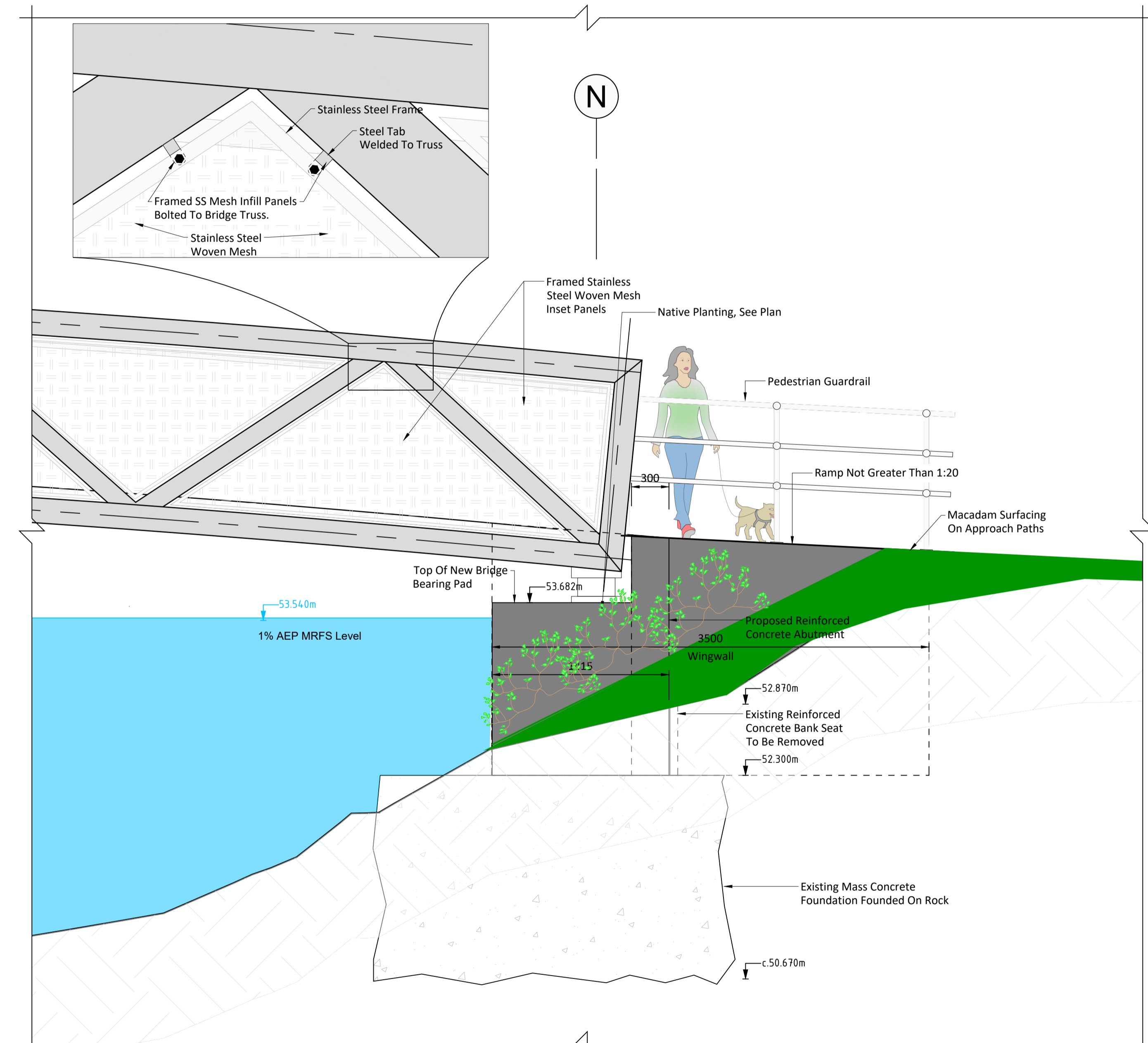
**STRUCTURAL STEEL DECK PLAN**  
Scale 1:50



**BRIDGE TO ABUTMENT JOINT DETAIL**  
Scale 1:5



**SECTION A-A**  
Scale 1:25



**SECTION B-B**  
Scale 1:25

If Applicable : Ordnance Survey Ireland Licence No. CYAL50221678 © Ordnance Survey Ireland and Government of Ireland



No part of this document may be reproduced or transmitted in any form or stored in any retrieval system of any nature without the written permission of Fehily Timoney & Company as copyright holder except as agreed for use on the project for which the document was originally issued. Do not scale. Use figured dimensions only. If in doubt - Ask!

Rev.	Description	App By	Date
P01	ISSUE FOR APPROVAL	BB	19.02.24
P02	FOR PLANNING	BB	31.05.24

PROJECT	CLIENT		
TRIM MILLENNIUM PEDESTRIAN BRIDGE			
SHEET	Date 19.02.24	Project number P22-256	Scale (@ A1-) 1:25
SECTIONS & DETAILS	Drawn by SK	Drawing Number P22256-FT-XX-ZZ-DR-S-0003	Rev P02
	Checked by AB		

O:\ACAD\2022\P22-256\22256-FT-XX-ZZ-DR-S-0003

29 May 2024